



## TABLE OF CONTENTS

Baffle Kits . . . . .	8
Drain Kit . . . . .	8
Electrical . . . . .	7
Filters, Replacement Air. . . . .	8
Grilles, Exterior. . . . .	6
Heat Pump PTAC . . . . .	3
Power Cords . . . . .	4
Straight Cool PTAC . . . . .	3
Subbases, Factory Installed . . . . .	6
Subbases, Field-Installable. . . . .	7
Thermostats, Wall . . . . .	8
Wall Sleeves . . . . .	5

## COOLING & ELECTRIC HEAT

TREND ORDERING NO.	NOMINAL COOLING SIZE (BTUH)	VOLTS-PHASE (60 HZ)	OPERATING VOLTAGE RANGE	PACKAGED DIMENSIONS (IN.) D X W X H*	APPROX SHIP WT (LB)
PTAC-GAE07AB-D	7,600/7,700	208/230	187 - 253	44-1/2 X 25-3/8 X 18-1/2	121
PTAC-GAE09AB-D	8,800/9,000			44-1/2 X 25-3/8 X 18-1/2	128
PTAC-GAE12AB-D	11,800/12,000			44-1/2 X 25-3/8 X 18-1/2	137
PTAC-GAE15AB-D	14,600/15,000			44-1/2 X 25-3/8 X 18-1/2	143
PTAC-GAE07AB-P	7,000	265	239 - 292	44-1/2 X 25-3/8 X 18-1/2	121
PTAC-GAE09AB-P	9,100			44-1/2 X 25-3/8 X 18-1/2	128
PTAC-GAE12AB-P	12,100			44 1/2 X 25 3/8 X 18 1/2	137
PTAC-GAE15AB-P	15,000			44-1/2 X 25-3/8 X 18-1/2	143

No Corrosion Protected Model Available

Shipped **WITHOUT** a power cord, the correct accessory power cord must be ordered separately. The power cord kit for the installation is determined by the voltage and amperage of the electrical circuit. If the unit is to be plugged into a receptacle, an accessory line cord connection kit must be selected. If the unit will be permanently connected, an accessory hardwire connection kit must be used. Please see Power Cord Selection Specifications.

## HEAT PUMPS

TREND ORDERING NO.	NOMINAL COOLING SIZE (BTUH)	VOLTS-PHASE (60 HZ)	OPERATING VOLTAGE RANGE	PACKAGED DIMENSIONS (IN.) D X W X H*	APPROX SHIP WT (LB)
PTAC-GAA07AB-D	7,600/7,700	208/230	187 - 253	44-1/2 X 25-3/8 X 18-1/2	121
PTAC-GAA09AB-D	8,800/9,000			44-1/2 X 25-3/8 X 18-1/2	128
PTAC-GAA12AB-D	11,800/12,000			44-1/2 X 25-3/8 X 18-1/2	137
PTAC-GAA15AB-D	15,000/14,600			44 1/2 X 25 3/8 X 18 1/2	143
PTAC-GAA07AB-P	7,000	265	239 - 292	44-1/2 X 25-3/8 X 18-1/2	121
PTAC-GAA09AB-P	9,000			44 1/2 X 25 3/8 X 18 1/2	128
PTAC-GAA12AB-P	11,400			44-1/2 X 25-3/8 X 18-1/2	137
PTAC-GAA15AB-P	14,300			44-1/2 X 25-3/8 X 18-1/2	143

No Corrosion Protected Model Available

Shipped **WITHOUT** a power cord, the correct accessory power cord must be ordered separately. The power cord kit for the installation is determined by the voltage and amperage of the electrical circuit. If the unit is to be plugged into a receptacle, an accessory line cord connection kit must be selected. If the unit will be permanently connected, an accessory hardwire connection kit must be used. Please see Power Cord Selection Specifications.

\*Prices subject to change without notice.



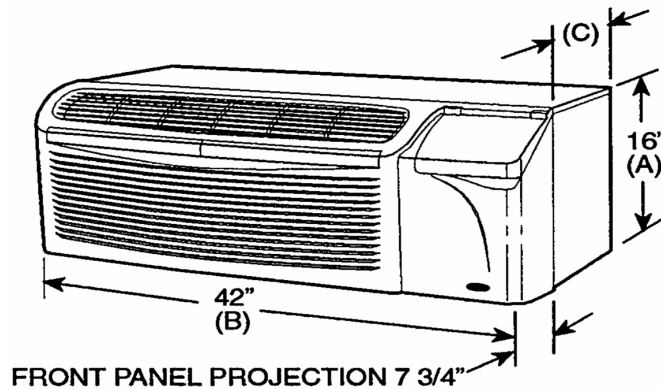
# ACCESSORIES

WALL SLEEVES						
TREND ORDERING NO.	DESCRIPTION	APPROX SHIP WT	DIMENSIONS (in.)			
			A	B	C	
SLEEVE-INSUL-1PK	Insulated Plastic Wall Sleeve	21	42.5	16.5	16	
WALL-SLEEVE-1PK *	Non-Insulated Plastic Wall Sleeve	20	42.5	16.5	16	
SLEEVE-STEEL-1PK †	Insulated Steel Wall Sleeve	30	42.5	16.5	16	
SLEEVE-EXT18-1PK †	Extended Metal Wall Sleeve For Deep Wall Applications. (18 in. Depth)	39	42.5	17	18.75	
SLEEVE-EXT24-1PK †	Extended Metal Wall Sleeve For Deep Wall Applications. (24 in. Depth)	56	43	25	17	
SLEEVE-EXT26-1PK †	Extended Metal Wall Sleeve For Deep Wall Applications. (26 in. Depth) All applications require engineering approval.	60	43	27	17	
SLEEVE-EXT28-1PK †	Extended Metal Wall Sleeve For Deep Wall Applications. (28 in. Depth) All applications require engineering approval.	62	43	29	17	
INSULATION-KIT	Insulation Kit to Make a Standard Non-Insulated Wall Sleeve Insulated	10	43	1	17	
FR-SLEEVE-EXT	Friedrich wall sleeve extension, for retrofit into Friedrich 11-1/2 in. deep wall sleeves (Friedrich T Series)	10	17	43	4	
SLEEVE-MOLDING †	Wall sleeve molding kit for trimming 42 in. x 16 in. wall sleeves to the interior wall.	2	43	1	17	

\* Insulated Wall Sleeves should be considered for superior sound, absorption to reduce heat loss, and to prevent sleeve sweating, a condition that can occur when the outdoor temperature is cold and the indoor temperature is warm and humid.

† Build to order - Up to 6 weeks for delivery

\*Prices subject to change without notice.



EXTERIOR GRILLES			
TREND ORDERING NO.	DESCRIPTION	APPROX SHIP WT	
GRILLE-ALU-STAMP	Stamped Aluminum Exterior Grille, Clear Finish	3	
GRILLE-PLA-ALPIN *	Polymer Architectural Exterior Grille, Alpine	7	
GRILLE-PLA-WHITE	Polymer Architectural Rear Grille, White	7	
GRILLE-PLA-BEIGE	Polymer Architectural Rear Grille, Beige	7	
GRILLE-ALU-CLEAR	Aluminum Architectural Exterior Grille, Clear Finish	7	
GRILLE-ALU-ALPIN *	Aluminum Architectural Exterior Grille, Alpine	7	
GRILLE-ALU-WHITE	Aluminum Architectural Exterior Grille, White	7	
GRILLE-ALU-BRONZ	Aluminum Architectural Exterior Grille, Light Bronze	7	
GRILLE-ALU-BROWN	Aluminum Architectural Exterior Grille, Brown (Dark Bronze)	7	
GRILLE-ALU-BEIGE	Aluminum Architectural Exterior Grille, Beige	7	

\* Matches Wall Sleeve.

† Build to order - Up to 6 weeks for delivery.

SUBBASE			
TREND ORDERING NO.	DESCRIPTION	APPROX SHIP WT	
SUBBASE-NON-ELEC	Non-Electrical Subbase	7	
SUBBASE-230V-15A	Elec. S/B w/ Factory Installed 208/230V, 15 amp	9	
SUBBASE-230V-20A	Elec. S/B w/ Factory Installed 208/230V, 20 amp Receptacle	9	
SUBBASE-230V-30A	Elec. S/B w/ Factory Installed 208/230V, 30 amp Receptacle	9	
SUBBASE-265V-15A	Elec. S/B w/ Factory Installed 265V, 15 amp Receptacle	9	
SUBBASE-265V-20A	Elec. S/B w/ Factory Installed 265V, 20 amp Receptacle	9	
SUBBASE-265V-30A	Elec. S/B w/ Factory Installed 265V, 30 amp Receptacle	9	
LEVELING-LEGS	Leveling legs for support and accurate unit leveling when a subbase is not used	3	

\*Prices subject to change without notice.

SUBBASE FIELD-INSTALLABLE KIT			
TREND ORDERING NO.	DESCRIPTION	APPROX SHIP WT	
SUBBASE-SWITCH	Field Installable Switch Kit for Electrical S/B	1	
SUBBASE-FUSE-15A	PTAC Field Installable Fuse Kit for 15A Elec. S/B	1	
SUBBASE-FUSE-20A	PTAC Field Installable Fuse Kit for 20A Elec. S/B	1	
SUBBASE-FUSE-30A	PTAC Field Installable Fuse Kit for 30A Elec. S/B	1	
ELECTRICAL			
TREND ORDERING NO.	DESCRIPTION	APPROX SHIP WT	
HARDWIRE-KIT-15A	Permanent Power Connection to the Unit (Includes 36-in. of Flexible Conduit and Unit-Mounted Power Connector). For units that require 15 amp service and 2.5 kW electric heat (230/208V OR 265V). Note: Electrical circuit breaker and all wiring, must be rated for 15 amp service or greater.	1	
HARDWIRE-KIT-20A	Permanent Power Connection to the Unit (Includes 36-in. of Flexible Conduit and Unit-Mounted Power Connector). For units that require 20 amp service and 3.4 kW electric heat (230/208V OR 265V). Note: Electrical circuit breaker and all wiring, must be rated for 20 amp service or greater.	1	
HARDWIRE-KIT-30A	Permanent Power Connection to the Unit (Includes 36-in. of Flexible Conduit and Unit-Mounted Power Connector). For units that require 30 amp service and 5.0 kW electric heat (230/208V OR 265V). Note: Electrical circuit breaker and all wiring, must be rated for 30 amp service.	1	
CONDUIT-KIT-15A	Interface kit for field supplied conduit, to provide permanent power connection to the unit. Intended for units that require 15 amp service, 2.5 kW electric heat (230/208V OR 265V). Note: Electrical circuit breaker and all wiring, must be rated for 15 amp service or greater.	1	
CONDUIT-KIT-20A	Interface kit for field supplied conduit, to provide permanent power connection to the unit. Intended for units that require 20 amp service, 3.4 kW electric heat (230/208V OR 265V). Note: Electrical circuit breaker and all wiring, must be rated for 20 amp service or greater.	1	
CONDUIT-KIT-30A	Interface kit for field supplied conduit, to provide permanent power connection to the unit. Intended for units that require 30 amp service, 5.0 kW electric heat (230/208V OR 265V). Note: Electrical circuit breaker and all wiring, must be rated for 30 amp service.	1	

\*Prices subject to change without notice.



